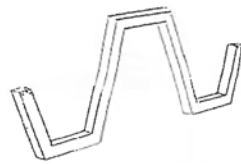




A - TOP 1 PC



B - SEAT 2 PCS



C - LEG 2 PCS



D - BOLT 12 PCS



E - NUT 12 PCS

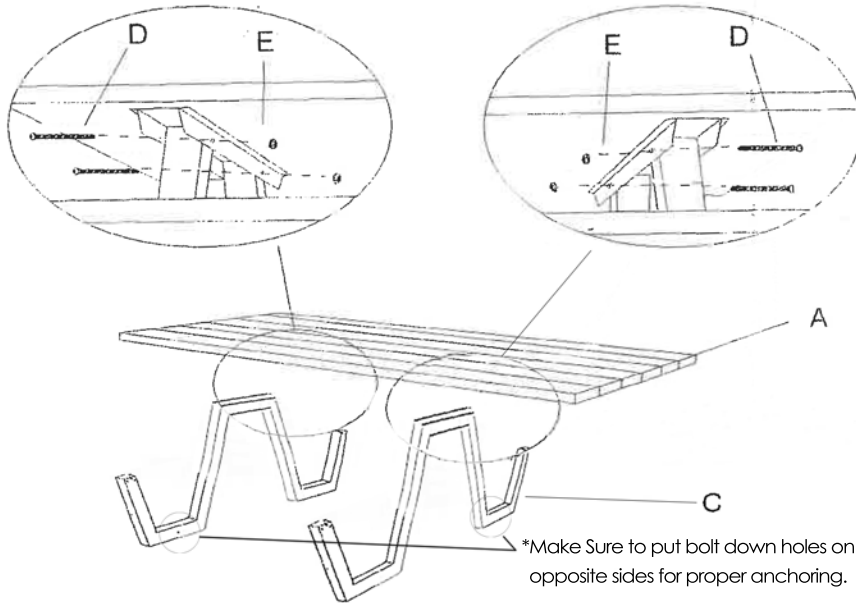


F - WRENCH 1 PC

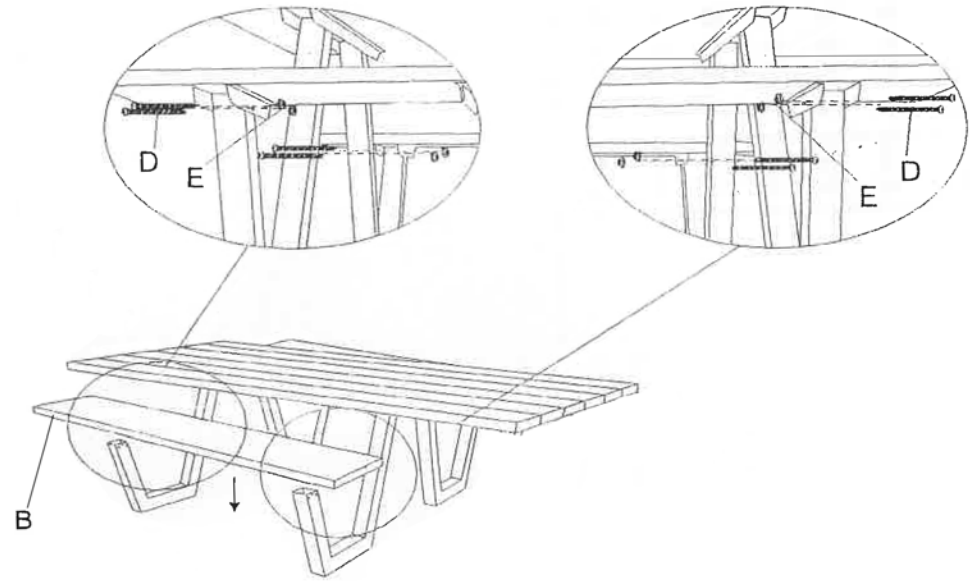


G - HEX KEY 1 PC

1.

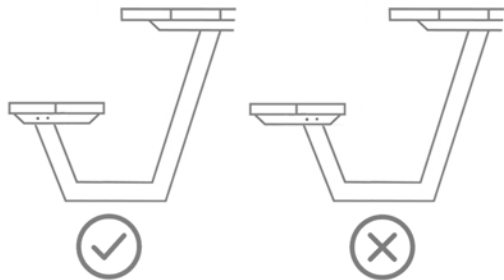


2.

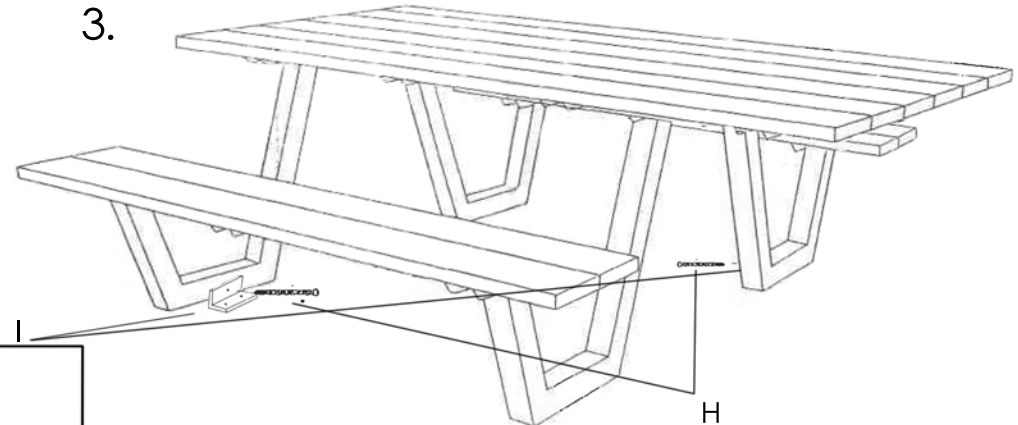


*Legs attach to 1st and 4th brackets under table top.

Seat placement



3.



SID Picnic Table ADA# 1821A

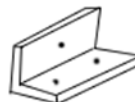
emuamericas, llc

T: 303.733.3385

email: info@emuamericas.com



H - Bracket Bolt 2 PCS



I - Bolt Down Bracket 2 PCS

*SID ADA Picnic Table must be bolted down at 2 anchor points.